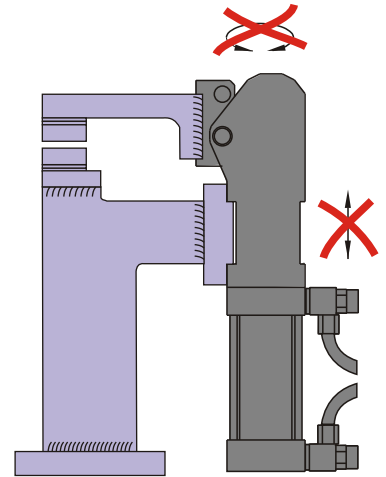
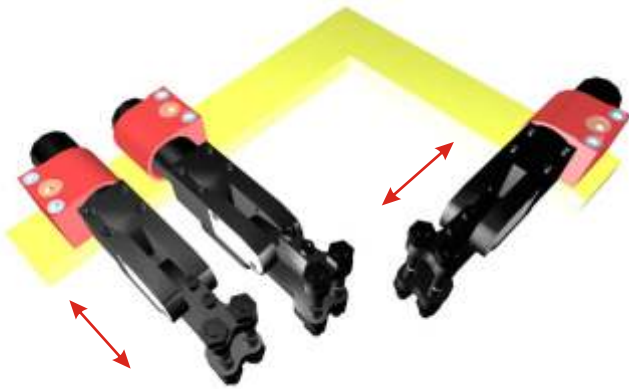
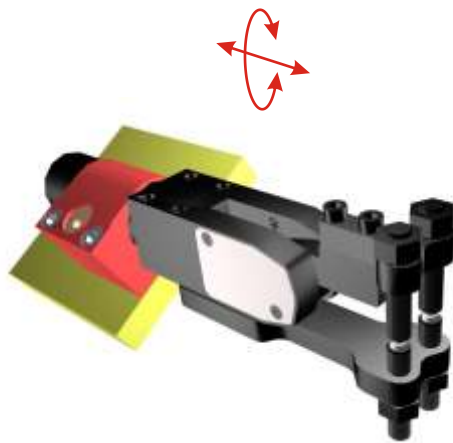


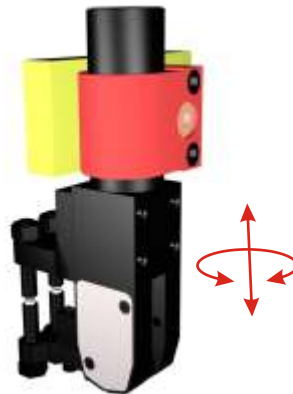
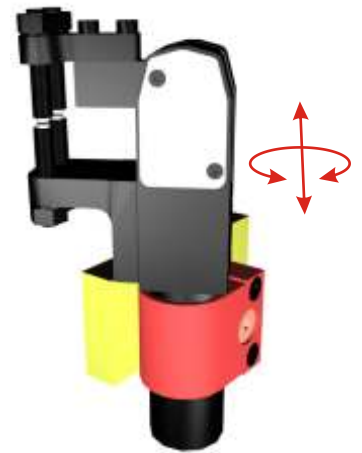
ADJUSTMENT OF THE CLAMP



OTHER CLAMPS

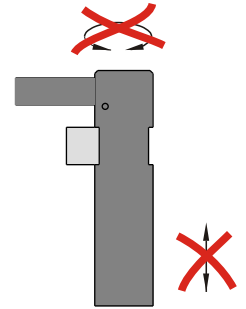
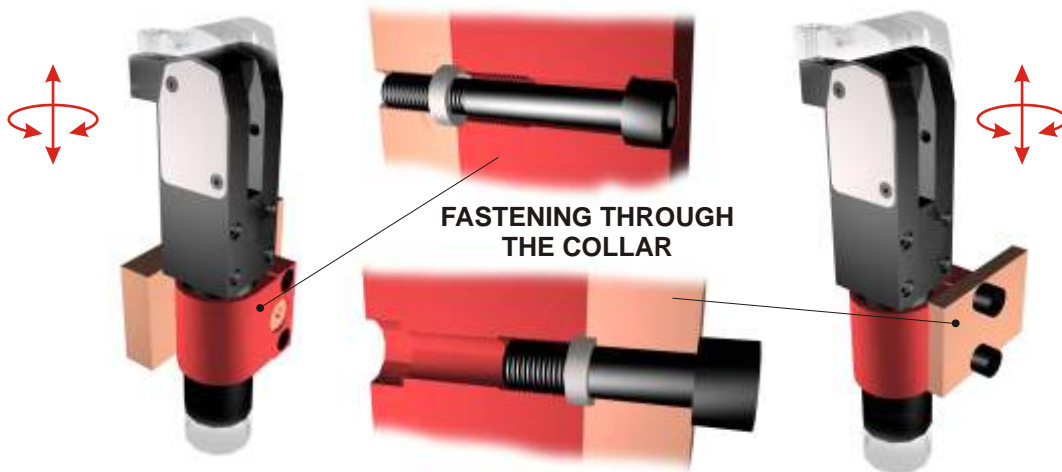


Fastening of the clamp through the collar allows to fasten the clamping point without changing the parts that make up the stress circuit.



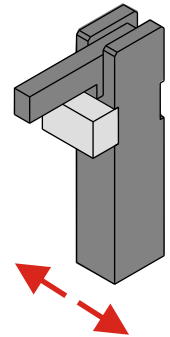
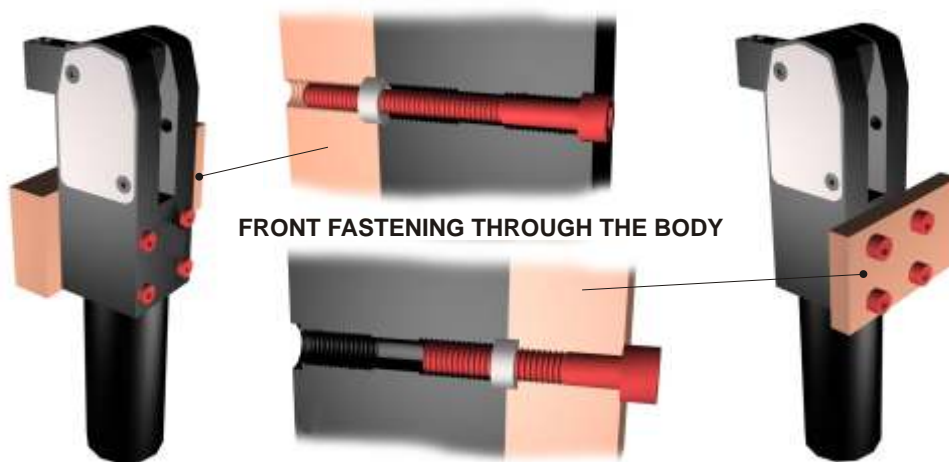
FASTENING OF THE CLAMP

Fastening of the clamp can be made through the cylindrical collar for positioning and height adjustment. By this means, there is an accurate centring and an easy interchangeability.

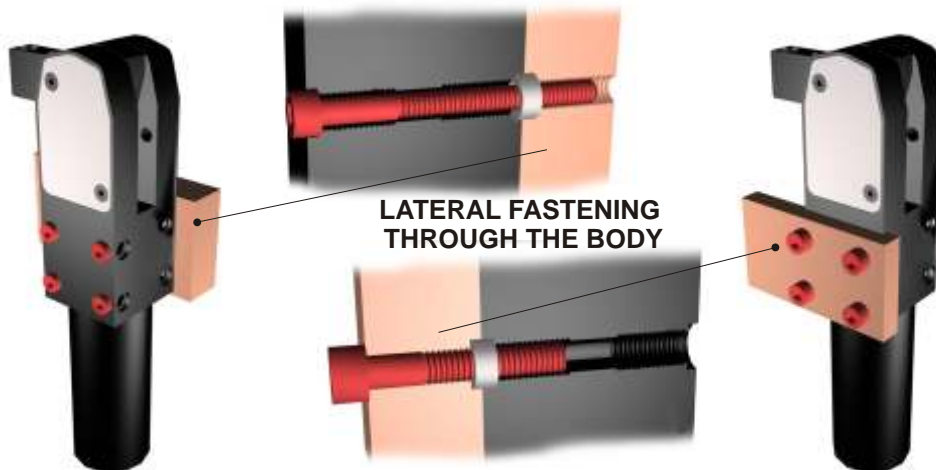


OTHER CLAMPS

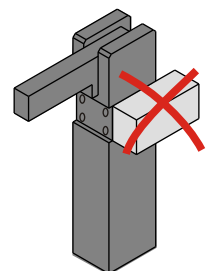
The clamp can also be fastened through the body (front or lateral) with centring guide bushings. The position is, then, accurate and it's easy to interchange clamps.



OTHER CLAMPS



(optional lateral drill holes)



OTHER CLAMPS