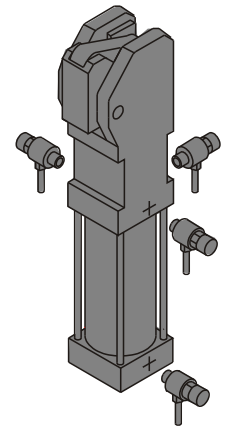
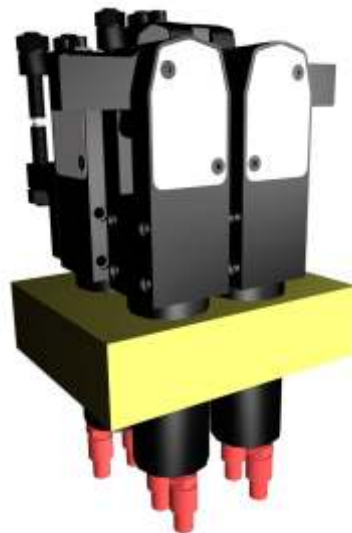
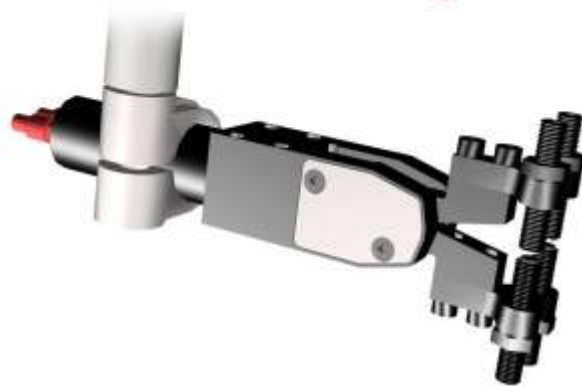
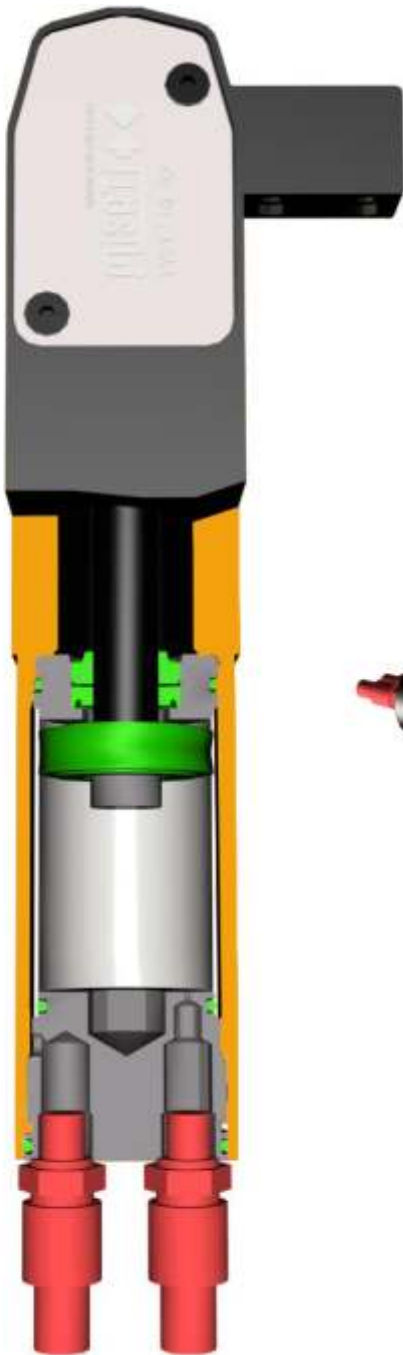


BUILT-IN CONNECTIONS



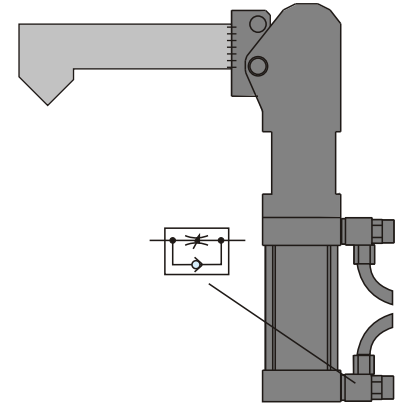
OTHER CLAMPS



Absence of lateral sockets allow the clamps to be fitted in confined spaces. In this way, the pneumatic installation is simpler.

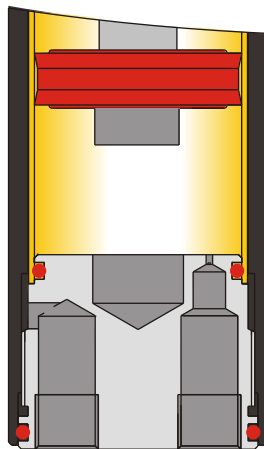
PNEUMATIC CUSHIONING OF THE ARM

MISATI's clamps are prepared to work without any flow regulators when using standard accessories, so the cost of the pneumatic installation is reduced.

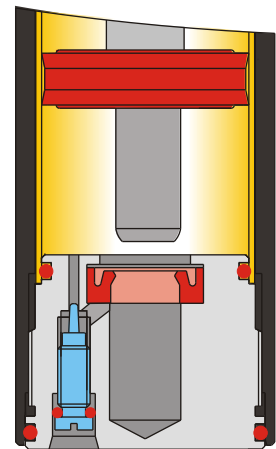


OTHER CLAMPS

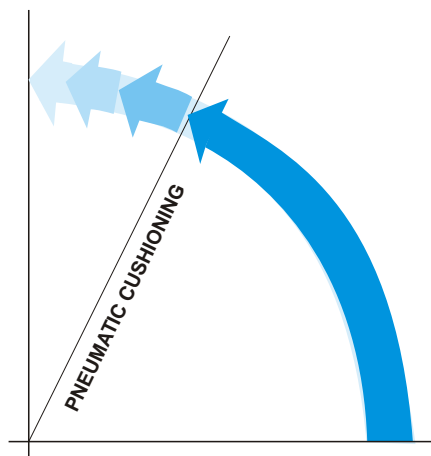
MISATI has planned a pneumatic cushioning system on opening the arm which is required when applying special couplings (with an excess length or mass).



Standard Head



Head with Cushioning (Optional)



Adjustment of Cushioning