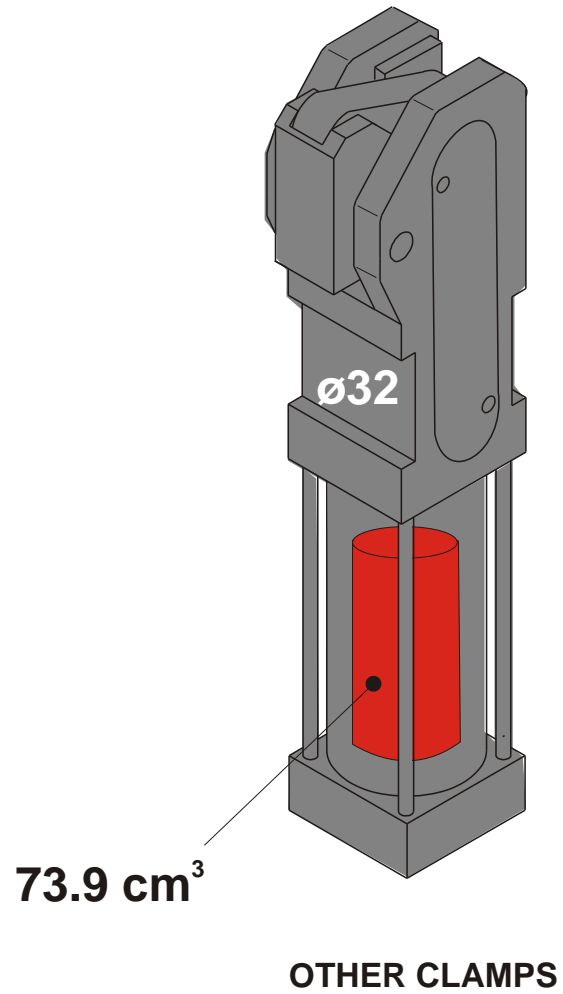


# AIR CONSUMPTION



Thanks to the design of the stress mechanism, the stroke of the pneumatic cylinder is smaller. There is less air consumption per cycle, then.