

# CHANGE OF THE ARM FOR BL & BI CLAMPS

Dismantling the arm  
 Assembling the arm



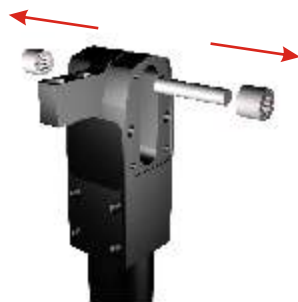
The change of the arm of BC & BE clamps must be changed in MISATI workshops.



**1**

Dismantle both lateral covers

Allen keys #2.5 & 3



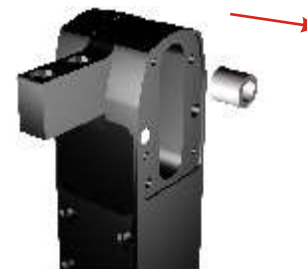
**2**

Take bearings & bolt out



**3**

Push the shaft down to the end



**4**

Take the internal bushing out of the arm



**5**

Take the bolt out

Centre punch & hammer



**6**

Take the arm out



**7**

Assemble the arm



**8**

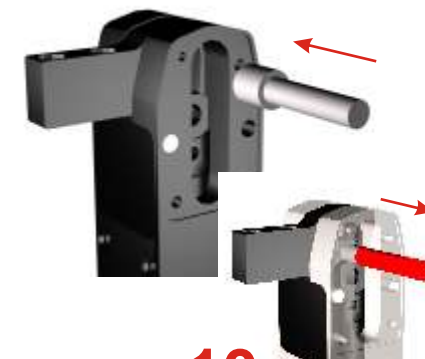
Assemble the bolt

Centre punch & hammer



**9**

Put the shaft up to the halfway of the oblong hole of the body



**10**

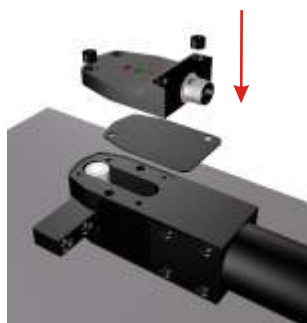
Assemble the internal bushing of the arm with the help of the bolt

## CHANGE OF THE ARM FOR BL & BI CLAMPS



### 11

Lay the clamp down horizontally and place the shaft and bearings in it



### 12

Put the Bakelite cover & sensor, or lateral cover, on the clamp  
Allen key #3



### 13

Turn the clamp and place the bearing in



### 14

Put the lateral cover on the clamp  
Allen key # 2.5