

MECHANICAL KIT FOR BL & BI CLAMPS

Dismantling the Mechanical Kit
 Assembling the Mechanical Kit

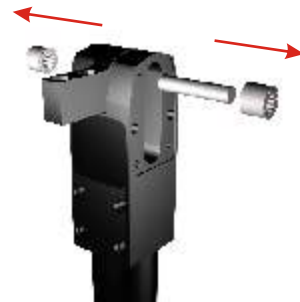
i The Mechanical Kit of BC & BE clamps must be changed in MISATI workshops.



1

Dismantle both lateral covers

Allen keys #2.5 & 3



2

Take bearings & bolt out



3

Push the shaft down to the end



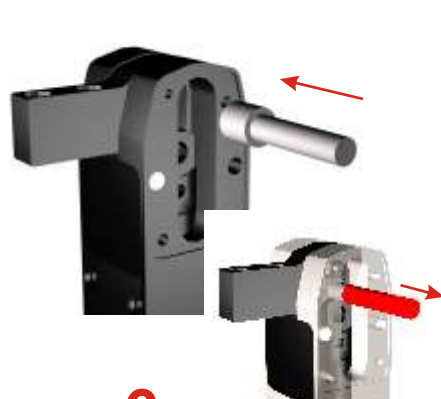
4

Take the internal bushing out of the arm



5

Push the shaft up to the halfway of the oblong hole of the body



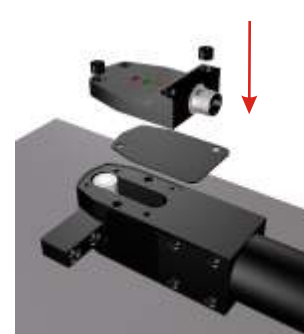
6

Assemble the internal bushing of the arm with the help of the bolt



7

Lay the clamp down horizontally and place the shaft and bearings in it



8

Put the Bakelite cover & sensor, or lateral cover, on the clamp
Allen Key #3



9

Turn the clamp and place the bearing in



10

Put the lateral cover on the clamp

Allen key #2.5